

8 7 6 5 4 3 2 1

D
79100
0

E

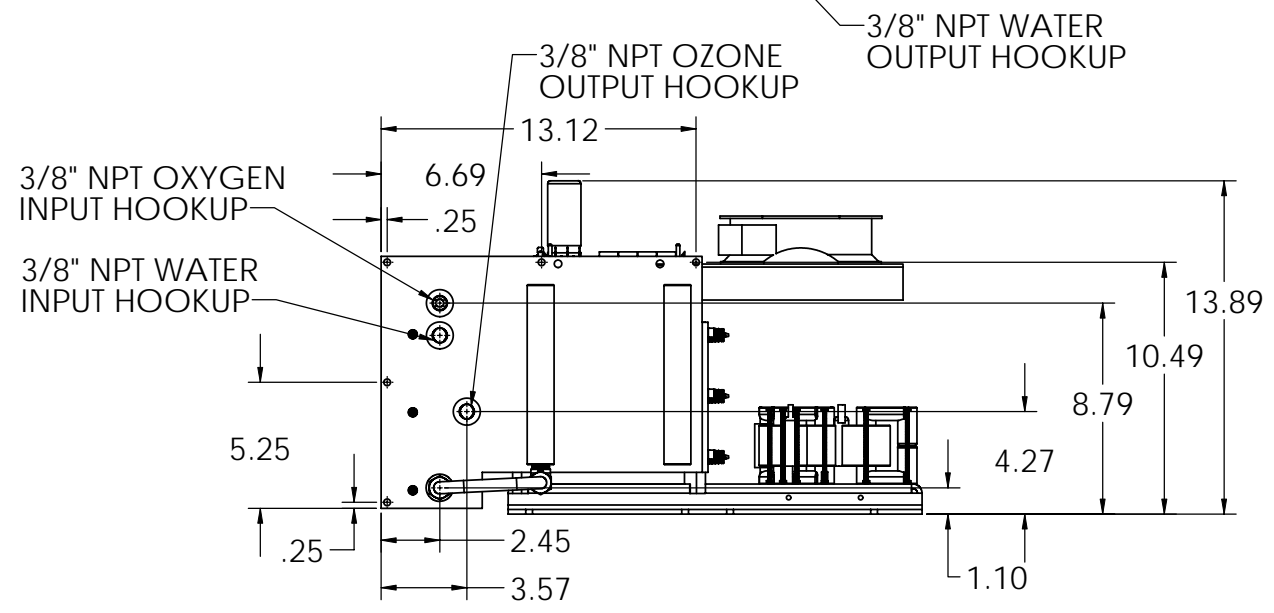
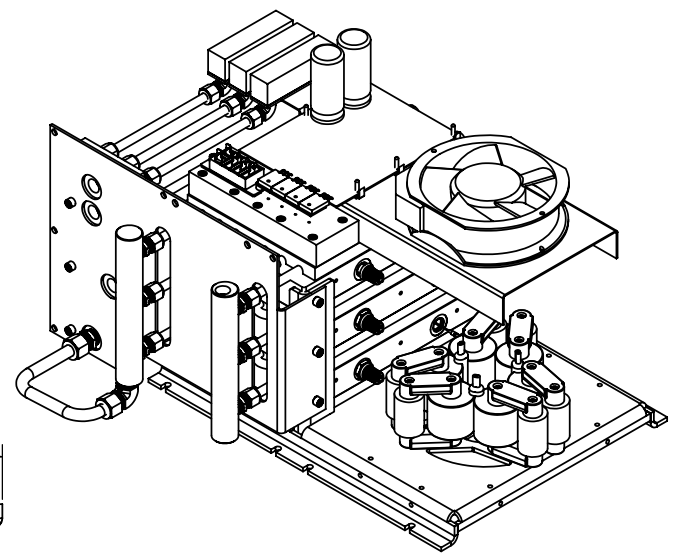
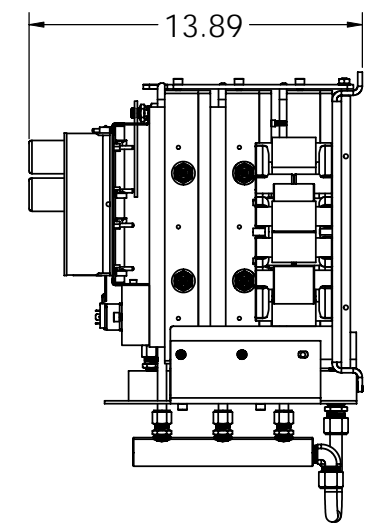
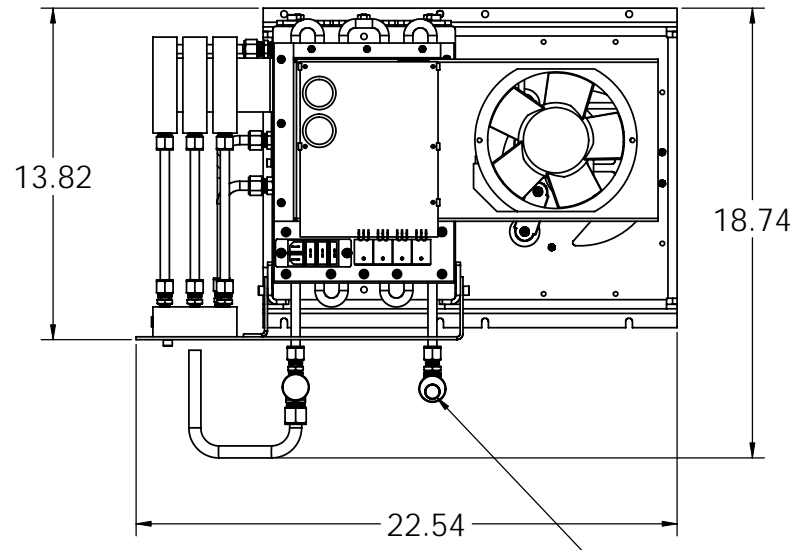
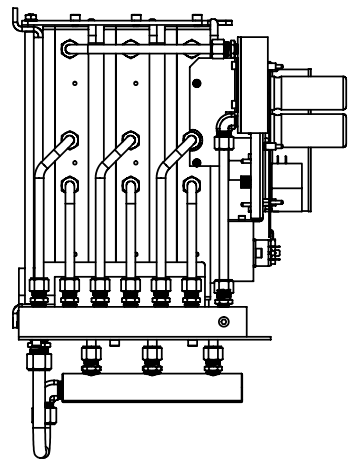
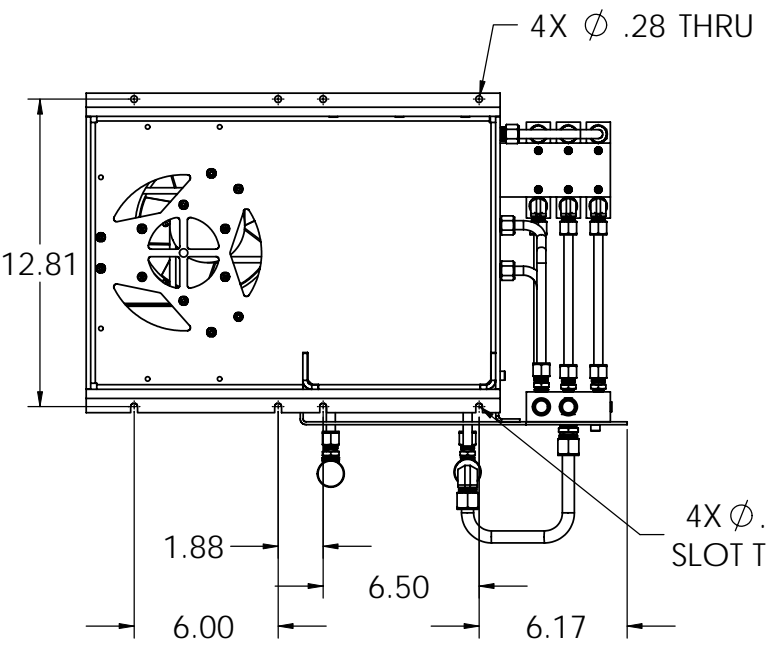
D

C

B

A

8 7 6 5 4 3 2 1



TOLERANCE & MACHINE NOTES UNLESS OTHERWISE SPECIFIED		NAME	DATE
DIMENSIONS ARE IN INCHES @ 68.72 °F		DRAWN	TM
TOLERANCES:		CHECKED	5/21/07
TWO PLACE DECIMAL	\pm 0.010	ENG APPR	
THREE PLACE DECIMAL	\pm 0.005	MFG APPR	
FOUR PLACE DECIMAL	\pm 0.0005	COMMENTS	
MAXIMUM MACHINED SURFACE	0.0005		
ANGULAR: \pm 0.10°			
CHAMFER ALL EDGES: 0.03 x 45°			
FILLET RADIUS: 0.015			
DO NOT SCALE DRAWING			

PTI Plasma Technics Inc.

TITLE: Dual Cell Plasma Block 3 Up Main Assembly

SIZE DWG. NO. REV
D 79100 0

SCALE: 1:4 WEIGHT: SHEET 1 OF 1

REV.	CHANGES	DATE	ENG.
0	INITIAL RELEASE	4/28/2008	TM